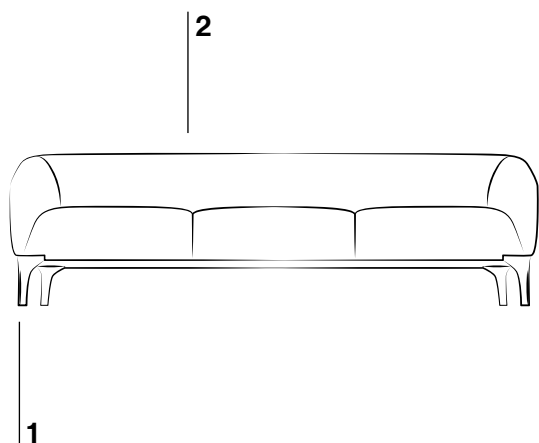
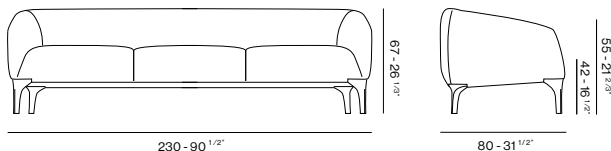


Divano 3 posti rivestito con scocca in legno imbottita con gomma e piedi in legno massello di frassino verniciato

Upholstered 3 seats sofa with wooden shell rubber stuffed and feet in varnished solid ash wood



1. **Piedi in legno massello di frassino Europeo**
European solid ash wood feet from FSC certified forests
2. **Scocca in multistrato di pioppo curvato confezionata con gomma di alta densità rivestita in tessuto, pelle o ecopelle. Disponibile anche in versione ignifuga su richiesta**
Shell made of curved poplar plywood prepared with high-density rubber upholstered in fabric, leather or faux leather. Also available in fireproof version on request

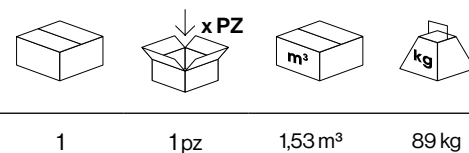
FINITURE FINISHES

FEET

Legno Wood



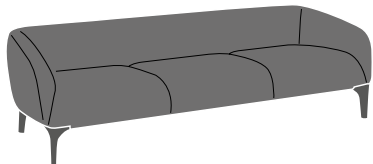
DETTAGLI SPEDIZIONE SHIPMENT DETAILS



VERSIONE SCOCCA SHELL VERSION

Divano 3 posti

3 Seater sofa



Tessuto cliente: necessaria approvazione di m | artedesign
Fabric supplied by customers: must be approved by m | artedesign



7,5 ml



15 mq

COMPATIBILITÀ DEI TESSUTI FABRIC COMPATIBILITY BY COLLECTION

TESSUTI	NAMI	COMPOSIZIONE COMPOSITION
	SOFA	
S Demetra	●	60% POLIESTERE RICICLATO RECYCLED POLYESTER 40% POLIESTERE POLYESTER
Surround	●	87,5% PVC PVC 12,5% COTONE COTTON
Tonal	●	100% POLIESTERE RICICLATO POST-CONSUMO POST-CONSUMER RECYCLED POLYESTER
Jet	●	100% POLIESTERE TREVIRA® CS POLYESTER TREVIRA® CS
A Mini	●	100% POLIESTERE TREVIRA® CS POLYESTER TREVIRA® CS
Cura	●	100% POLIESTERE RICICLATO POST-CONSUMO POST-CONSUMER RECYCLED POLYESTER
Guest	●	100% POLIESTERE RICICLATO RECYCLED POLYESTER
B Zenith	●	100% POLIESTERE RICICLATO FR RECYCLED POLYESTER FR
Poseidon	●	100% POLIESTERE RICICLATO SEAQUAL® SEAQUAL® RECYCLED POLYESTER
Gyre	●	100% REVIVE PP REVIVE PP
Fenice	●	75% LANA WOOL 25% POLIAMMIDE POLYAMIDE
Grain	●	100% POLIESTERE RICICLABILE RECYCLABLE POLYESTER
Acton	●	87% POLIESTERE RICICLATO FR RECYCLED POLYESTER FR 13% POLIESTERE FR POLYESTER FR
C Extrema AU	●	63% POLIURETANO POLYURETHANE 29% COTONE COTTON 8% POLIESTERE POLYESTER
Moore	●	100% POLIESTERE RICICLATO FR RECYCLED POLYESTER FR
Ally	●	95% POLIETILENE TEREF TALATO RICICLATO RECYCLED POLYETHYLENE TEREPHTHALATE 5% POLIESTERE POLYESTER
Focus Melange	●	100% LANA NEOZELANDESE NEW ZEALAND WOOL
Bisentium	●	30% LANA VERGINE VIRGIN WOOL 28% LANA WOOL 26% POLIAMMIDE POLYAMIDE 16% SETA SILK
Auckland	●	76% POLIESTERE RICICLATO FR RECYCLED POLYESTER FR 24% POLIESTERE FR POLYESTER FR
D Crisp	●	93% LANA NEOZELANDESE NEW ZEALAND WOOL 7% POLIAMMIDE POLYAMIDE
Gorgeus	●	100% POLIESTERE TREVIRA® CS POLYESTER TREVIRA® CS
Breeze Fusion	●	88% LANA NEOZELANDESE NEW ZEALAND WOOL 12% POLIAMMIDE POLYAMIDE
Wolin	●	75% LANA RICICLATA POST CONSUMO POST-CONSUMER RECYCLED WOOL 20% POLIESTERE POLYESTER 5% POLIAMMIDE POLYAMIDE
Remix 3	●	90% LANA VERGINE NEW WOOL 10% POLIAMMIDE POLYAMIDE
E Rewool	●	45% LANA VERGINE NEW WOOL 45% LANA RICICLATA RECYCLED WOOL 10% POLIAMMIDE POLYAMIDE
Canvas 2	●	90% LANA VERGINE NEW WOOL 10% POLIAMMIDE POLYAMIDE

ACCESSORI ACESSORIES

TESSUTI	NAMI	COMPOSIZIONE COMPOSITION
	SOFA	
Encircle	●	100% POLIESTERE TREVIRA® CS POLYESTER TREVIRA® CS
F Steelcut Trio	●	90% LANA VERGINE NEW WOOL 10% POLIAMMIDE POLYAMIDE
Hallingdal 65	●	70% LANA VERGINE NEW WOOL 30% VISCOSA VISCOSE
Ecriture	●	40% POLIACRILICO POLYACRYLIC 27% POLIESTERE POLYESTER 18% VISCOSA VISCOSE 9% LINO LINEN 6% COTONE COTTON
P Polo	●	BOVINO EUROPEO EUROPEAN BOVINE
Q Prescott	●	BOVINO EUROPEO EUROPEAN BOVINE
Linea	●	BOVINO EUROPEO EUROPEAN BOVINE
Sweet	●	BOVINO EUROPEO EUROPEAN BOVINE

● Disponibile Available ○ Previa consultazione Upon consultation

Imballo 100% riciclabile
100% recyclable packaging



SIMBOLI SYMBOLS



Numero di colli
Number of packages



Pezzi per collo
Pieces per package



Volume in m3
Volume in m3



Peso in kg
Weight in kg



Consumo tessuto (ml)
Fabric consumption (ml)



Consumo pelle (mq)
Leather consumption (mq)



Classificazione di Reazione al Fuoco
Fire Reaction Classification
CLASSE 1IM - COD. PN 3822D20D1M00002

